



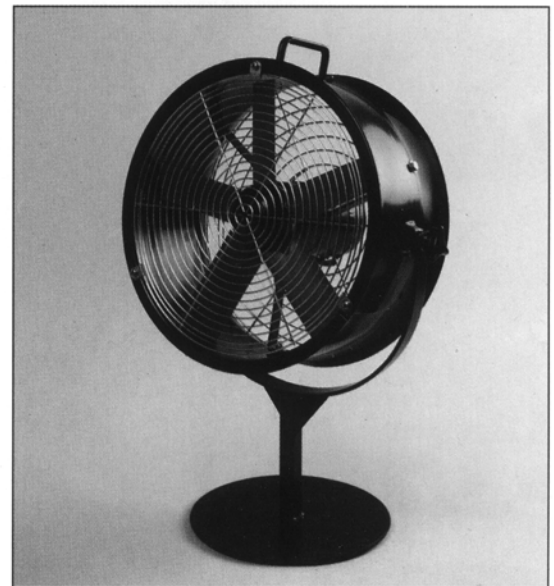
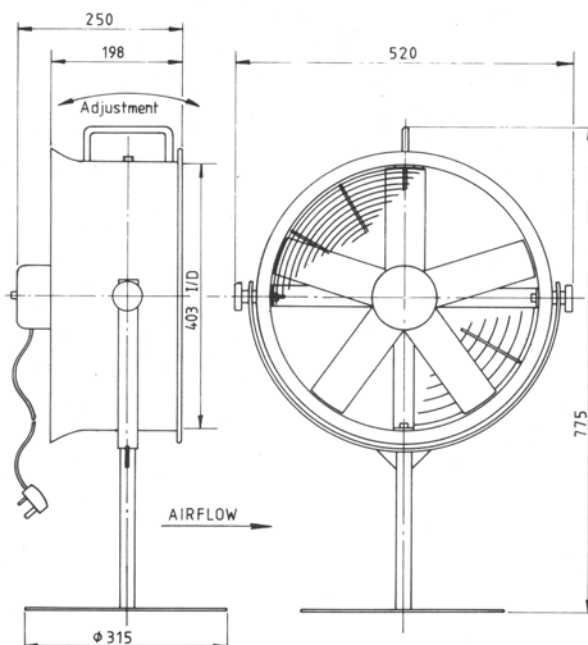
The London Fan range of portable coolers are designed primarily to cool people who work in hot conditions. They achieve this by directing a stream of air thus causing the evaporation of perspiration which gives a cooling effect. Being portable, these units may be used for the movement of air within any confined or hot area or for the cooling of particular hot areas by heat dispersal.

PEDESTAL FANS

These are readily portable units for industrial applications, being widely used where employees are working in hot local conditions and in summer months when ambient temperatures are high.

The standard 240V unit contains a built-in solid state speed regulator giving variable speeds from 'full speed' to 'off'. (Flameproof motors are not suitable for speed control).

DIMENSIONS (millimetres)



The standard unit has a 400mm diameter fan and has a variable angle of discharge. It delivers 0.95 m³/s (2000 c.f.m.) at full speed 1400 r.p.m. & is available for either 240 or 110 volts single phase A.C. 50Hz electrical supply. The full load current is 1 amp 240V or 2.2 amps 110V.

The sound level at full speed is approximately 60 dB (A) at 3 metres. The unit stands 775mm high, weighs approximately 16 kg and is supplied with 1½ metres of lead and a pre-wired fused 13 amp plug. (240V model only).

Other voltages, three phase or flameproof units are available to special order.