

High Performance fans available ex stock or on short delivery. These units are of robust construction, manufactured in accordance with ISO9001:2000.



SIZE RANGE

250 to 1250mm diameter

PERFORMANCE

Full details are available on our fan selection programme, available on request.

IMPELLERS

All units are fitted with Breezax Impellers with GRP or GRN aerofoil blades. Aluminium blades can be fitted if required. Hubs are die cast aluminium alloy.

MOTORS

Comply with BS5000 & IEC34-1. Foot or Pad mounted type TEFV IP55 Class F insulation. They are fitted with sealed for life ball bearings and wired to an external junction box on the fan case.

CASES

Are flanged to BS6339 & ISO6580 and manufactured from mild steel and hot dip galvanised to BS 729.

OPERATING TEMPERATURES

From -20° to +50°C as standard, fans for operation beyond these limits are also available.

MOUNTING

All units are suitable for internal or external operation at any installed angle.

ANCILLARIES

A full range is available for vibration isolation and sound attenuation.

SPEED CONTROL

Available on all sizes, for larger fans control is by frequency inverter. Two speed fans available on a slightly longer lead time.

CONTRA-ROTATING UNITS

Fans can be coupled together and with impellers running in opposite rotation, pressures can be increased by 250%.

PRODUCT RANGE

- Long Cased Axial
- Bifurcated Axial
- Plate/Short Case Axial
- Axial Impellers
- Smoke Extract
- Boxed Centrifugal
- Propeller
- Flameproof (Hazardous Area)
- Roof Mounted
- Portable

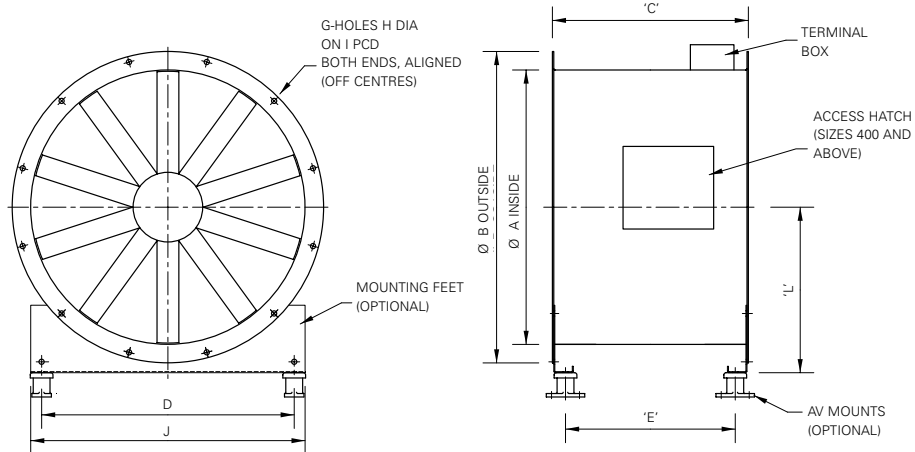
We can also design and manufacture fans to suit non standard or special applications

Long Cased Axial Fan Performance Data

Fan Code	rpm	Supply	Airflow m ³ /s @ Static Pressure Pa											Max Pa	Motor kW	FLC Amps	SC Amps	dB(A) @3m		
			0	25	50	75	100	150	200	250	300	400	500						700	
250/4/5S/40	1440	240/1/50	0.38	0.32												40	0.1	0.8	2	46
250/2/5S/30	2880	240/1/50	0.62	0.60	0.57	0.54	0.51	0.42								160	0.15	1.2	3	60
250/2/5S/40	2880	240/1/50	0.76	0.74	0.71	0.67	0.63									142	0.25	1.69	5.1	62
315/4/5S/20	1440	240/1/50	0.49	0.44	0.35	0.12										85	0.1	0.8	2	50
315/4/5S/40	1440	240/1/50	0.77	0.70	0.60											62	0.1	0.8	2	54
315/2/5S/20	2880	240/1/50	0.96	0.93	0.90	0.87	0.84	0.76	0.66	0.48	0.13					320	0.25	1.69	5.1	67
315/2/5S/40	2880	240/1/50	1.50	1.46	1.42	1.38	1.35	1.25	1.14							234	0.75	4	8	71
400/2/5S/22	1440	240/1/50	1.07	1.02	0.92	0.75										80	0.18	1.6	4.3	53
400/4/10S/40	1440	240/1/50	1.73	1.65	1.56	1.44	1.25									106	0.37	2.80	11.2	59
400/2/10S/20	2880	415/3/50	2.08	2.04	2.00	1.94	1.91	1.82	1.73	1.62	1.50	1.15	0.17			540	1.1	2.31	16.7	78
500/4/10S/20	1440	240/1/50	1.67	1.62	1.57	1.51	1.44	1.24	0.51							213	0.37	2.8	11.2	63
500/4/10S/40	1440	240/1/50	3.00	2.92	2.84	2.74	2.63	2.33								177	1.1	6.6	33	70
500/2/10S/25	2880	415/3/50	4.17	4.12	4.10	4.06	4.02	3.95	3.87	3.80	3.72	3.55	3.37	2.87		770	4	7.52	52.6	81
500/2/12S/40	2880	415/3/50	5.95	5.92	5.89	5.85	5.82	5.74	5.65	5.57	5.48	5.29	5.07	4.49		775	7.5	13.8	96.6	84
560/4/10S/30	1440	415/3/50	3.50	3.40	3.30	3.19	3.07	2.77	2.34							203	1.1	2.52	16.4	70
560/2/5S/20	2880	415/3/50	4.60	4.52	4.45	4.38	4.30	4.13	3.97	3.77	3.58	3.11	2.43			553	2.2	4.42	30.9	82
560/2/12S/20	2880	415/3/50	4.96	4.92	4.90	4.83	4.30	4.75	4.69	4.61	4.55	4.36	4.20	3.76		1020	5.5	10.2	71.4	85
630/6/10S/40	960	415/3/50	4.27	4.08	3.86	3.57										98	1.1	2.89	15.9	64
630/4/10S/20	1440	415/3/50	3.80	3.7	3.61	3.50	3.39	3.13	2.80	2.27	0.53					340	1.1	2.52	16.4	72
630/4/10S/40	1440	415/3/50	6.40	6.27	6.16	6.02	5.87	5.51	5.03							220	3	6.25	43.8	74
710/6/10A/35	960	415/3/50	5.97	5.74	5.53	5.29	5.03									147	1.5	3.64	21.8	63
710/4/10A/15	1440	415/3/50	4.75	4.67	4.60	4.52	4.44	4.24	4.00	3.68	3.18					380	2.2	4.61	32.3	69
710/4/10A/30	1440	415/3/50	7.90	7.77	7.66	7.54	7.42	7.16	6.88	6.57	6.19					350	4	7.98	55.9	71
800/6/12A/37	960	415/3/50	9.07	8.81	8.58	8.30	8.01	7.27								179	4	8.67	56.4	73
800/4/12A/22	1440	415/3/50	9.20	9.08	8.98	8.86	8.75	8.51	8.26	7.97	7.66	6.80				445	5.5	10.5	73.8	76
800/4/12A/32	1440	415/3/50	12.20	12.04	11.91	11.76	11.61	11.31	10.99	10.65	10.28	9.26				432	11	20.5	143	81
900/6/12A/32	960	415/3/50	11.46	11.1	10.81	10.52	10.19	9.52	8.55							216	5.5	11.6	75.1	71
900/4/12A/35	1440	415/3/50	17.90	17.62	17.4	17.21	17.04	16.62	16.23	15.75	14.98	14.26				470	15	27.6	193	82

Notes:
 The above table shows performance for the most popular fan sizes. Performance and sound data for our full range of fans is available on our fan selection software.
 Sound data is dB(A) average spherical free field for comparison only. Figures shown are approximate peak values.

- KEY
- Available ex stock
 - 5-7 working days



Dimensions in mm

A	B	C	D	E	G	H	I	J	L
250	300	300	200	260	4	10	280	250	165
315	375	350	265	300	8	10	355	315	200
400	475	450	350	400	8	12	450	400	245
500	585	500	450	440	12	12	560	500	315
560	645	500	510	441	12	12	620	560	355
630	715	500	580	440	12	12	690	630	380
710	795	650	640	590	16	12	770	710	420
800	885	650	730	575	16	12	860	800	470
900	1000	650	800	575	16	15	970	900	530
1000	1100	800	900	730	16	15	1070	1000	580
1120	1220	800	1020	730	20	15	1190	1120	670
1250	1350	800	1150	730	20	15	1320	1250	735

The London Fan Company Ltd
 75-81 Stirling Road
 London W3 8DJ

t +44 (0)20 8992 6923
f +44 (0)20 8992 6928
e sales@londonfan.co.uk

www.londonfan.co.uk

Manufacturers of Breeza Fans & Breezax Impellers