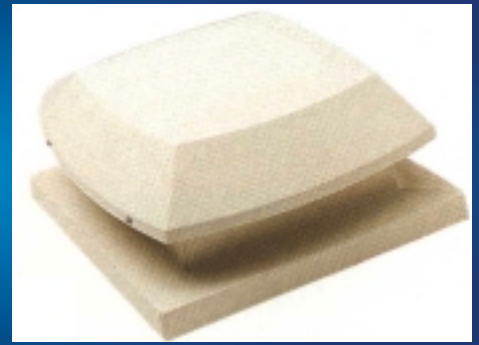


## High quality roof mounted fans

constructed in glass fibre for durability



### SIZE RANGE

300mm to 760mm impeller diameter.

### PERFORMANCE

Ranging from 0.2 to 4.6 m<sup>3</sup>/s - full details are available on our fan selection software.

### IMPELLERS

All units are fitted with Breezax Impellers with GRP blades. Aluminium blades can be fitted if required.

### COWLS / BASES

Low Profile (LP) or Vertical Jet (VJ) cowls are available, mounted on curb, flat or moulded bases to match the roof corrugation.

### MOTORS

Totally enclosed safe area type, enclosure IP54 or IP55, insulation Class F. Fitted with sealed for life ball bearings.

### COLOUR

Standard colour is BS00A05 light grey. Other colours can be supplied to match the building colour.

### ELECTRICAL SUPPLY

110V - 120V 1 phase

220V - 240V 1 phase

380V - 460V 3 phase

50 or 60 Hz

### MOUNTING & AIRFLOW

Units are weatherproof up to an angle of 30°. The correct orientation of VJ units is required to maintain the balanced opening of the shutters.

### ANCILLARIES

Aluminium shutters and bird guards can be supplied with LP type units if required. VJ units have shutters fitted as standard.

### OPERATING TEMPERATURES

From -20°C to +50°C as standard; fans for operation beyond these limits are also available.

### SPEED CONTROL

Most units are suitable for speed control. Care must be taken to avoid reducing the fan speed when shutters are fitted. Consult our Sales Office for more information.

### PRODUCT RANGE

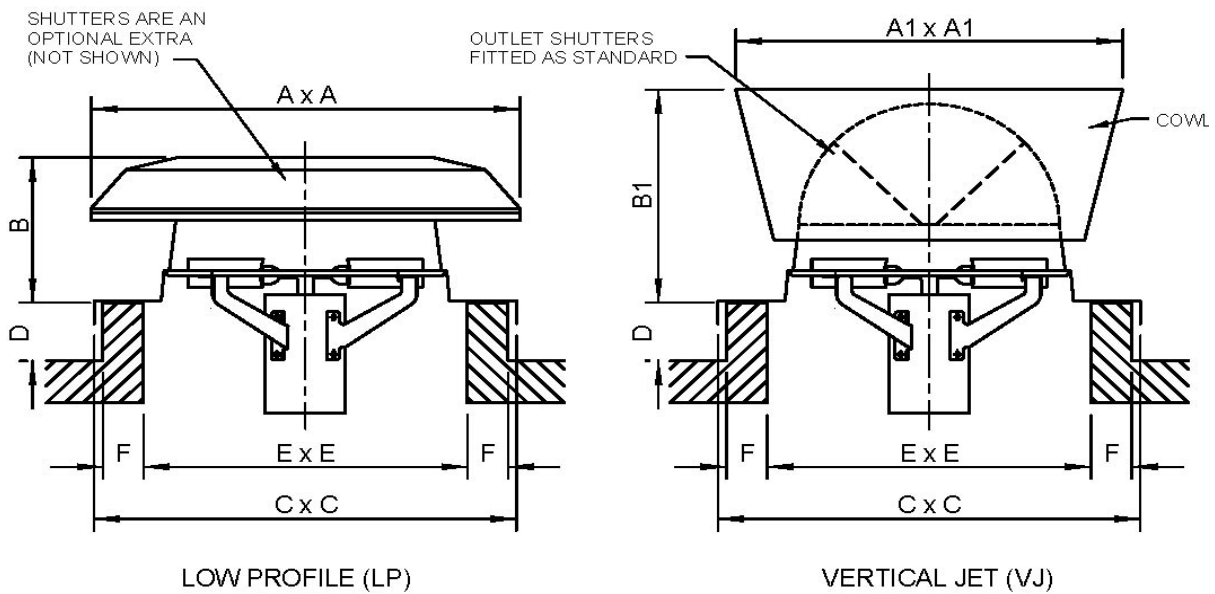
- Long Cased Axial
- Bifurcated Axial
- Plate or Short Cased Axial
- Axial Impellers
- Smoke Extract
- Boxed Centrifugal
- Propeller
- Flameproof (Hazardous Area)
- Roof Mounted
- Portable

We can also design and manufacture fans to suit non standard or special applications.

## Safe Area Roof Extract Fans - Performance Data

	Fan Ref	rpm	Airflow m³/s @ Static Pressure Pa					dB(A) @3m	240/1/50			415/3/50		
			0 Pa	12.5	25	37.5	50		Motor kW	FLC Amps	SC Amps	Motor kW	FLC Amps	SC Amps
Type LP	LPC315 4 Pole	1400	0.43	0.40	0.37	0.31	0.27	57	0.1	0.80	2.00	0.1	0.34	1.40
	LPC380 4 Pole	1400	0.81	0.79	0.75	0.71	0.62	62	0.1	0.80	2.00	0.1	0.34	1.40
	LPC450 6 Pole	900	0.92	0.89	0.87	0.74	0.58	56	0.19	1.50	4.50	0.19	0.90	1.90
	LPC450 4 Pole	1400	1.39	1.37	1.34	1.29	1.22	66	0.5	3.00	9.50	0.5	1.20	3.90
	LPC610 8 Pole	700	1.69	1.56	1.41	1.19	0.88	59	0.18	1.60	2.70	0.18	1.00	2.80
	LPC610 6 Pole	900	2.22	2.17	2.12	2.08	2.03	65	0.39	2.70	7.60	0.39	1.50	3.60
	LPC760 8 Pole	700	3.35	3.08	2.93	2.74	2.56	66	n/a	n/a	n/a	0.45	2.20	3.40
	LPC760 6 Pole	900	4.32	3.95	3.76	3.53	3.29	72	n/a	n/a	n/a	0.67	2.20	5.00
Type VJ	VJC315 4 Pole	1400	0.46	0.42	0.40	0.33	0.29	59	0.1	0.80	2.00	0.1	0.34	1.40
	VJC380 4 Pole	1400	0.86	0.84	0.80	0.75	0.66	64	0.1	0.80	2.00	0.1	0.34	1.40
	VJC450 6 Pole	900	0.98	0.95	0.93	0.78	0.62	58	0.19	1.50	4.50	0.19	0.90	1.90
	VJC450 4 Pole	1400	1.48	1.46	1.42	1.37	1.30	68	0.5	3.00	9.50	0.5	1.20	3.90
	VJC610 8 Pole	700	1.80	1.66	1.49	1.26	0.94	61	0.18	1.60	2.70	0.18	1.00	2.80
	VJC610 6 Pole	900	2.36	2.31	2.26	2.20	2.16	67	0.39	2.70	7.60	0.39	1.50	3.60
	VJC760 8 Pole	700	3.12	2.92	2.72	2.50	2.23	68	n/a	n/a	n/a	0.45	2.20	3.40
	VJC760 6 Pole	900	4.00	3.76	3.50	3.20	2.90	74	n/a	n/a	n/a	0.67	2.20	5.00

Please contact our Sales Office for 1000mm size performance data.



Low Profile	Fan Ref	A	B	C	D	E	F	kg
	LPC315	555	250	520	150	400	50	19
LPC380	765	370	755	150	500	100	21	
LPC450	765	370	755	150	500	75	35	
LPC610	1115	530	1010	150	825	75	56	
LPC760	1410	650	1125	150	950	75	79	
LPC1000	TBA	TBA	TBA	TBA	TBA	TBA	TBA	

Vertical Jet	Fan Ref	A1	B1	C	D	E	F	kg
	VJC315	700	385	520	150	400	50	22
VJC380	790	495	755	150	500	100	24	
VJC450	790	495	755	150	500	75	39	
VJC610	1115	530	1010	150	825	75	62	
VJC760	1120	690	1125	150	950	75	87	

The London Fan Company Ltd reserves the right to revise product specification and information without prior notice.