

High quality flameproof roof mounted fans for use in hazardous areas where flammable gas or dust is present
ATEX II 2G D [EExd Zone 1]



SIZE RANGE

300mm to 760mm impeller diameter.

PERFORMANCE

Ranging from 0.2 to 4.6 m³/s - full details are available on our fan selection software.

IMPELLERS

All units are fitted with Breezax anti static blades as standard. Aluminium blades can be fitted if required.

COWLS / BASES

Low Profile (LP) or Vertical Jet (VJ) cowls are available, mounted on curb, flat or moulded bases to match the roof corrugation.

MOTORS

Comply with ATEX Directive 94/9/EC and EN50014, EN50018 & EN50281-1-1. Enclosure IP55 or IP56, insulation Class F. Fitted with sealed for life ball bearings.

COLOUR

Standard colour is BS00A05 light grey. Other colours can be supplied to match the building colour.

GAS GROUPS

The standard range covers IIA and IIB gases. Fans for IIC (Hydrogen) are also available.

ELECTRICAL SUPPLY

110V - 120V 1 phase

220V - 240V 1 phase

380V - 460V 3 phase

50 or 60 Hz

MOUNTING & AIRFLOW

Units are weatherproof up to an angle of 30°. The correct orientation of VJ units is required to maintain the balanced opening of the shutters.

ANCILLARIES

Aluminium shutters and bird guards can be supplied with LP type units if required. VJ units have shutters fitted as standard.

OPERATING TEMPERATURES

From -20°C to +50°C as standard; fans for operation beyond these limits are also available.

PRODUCT RANGE

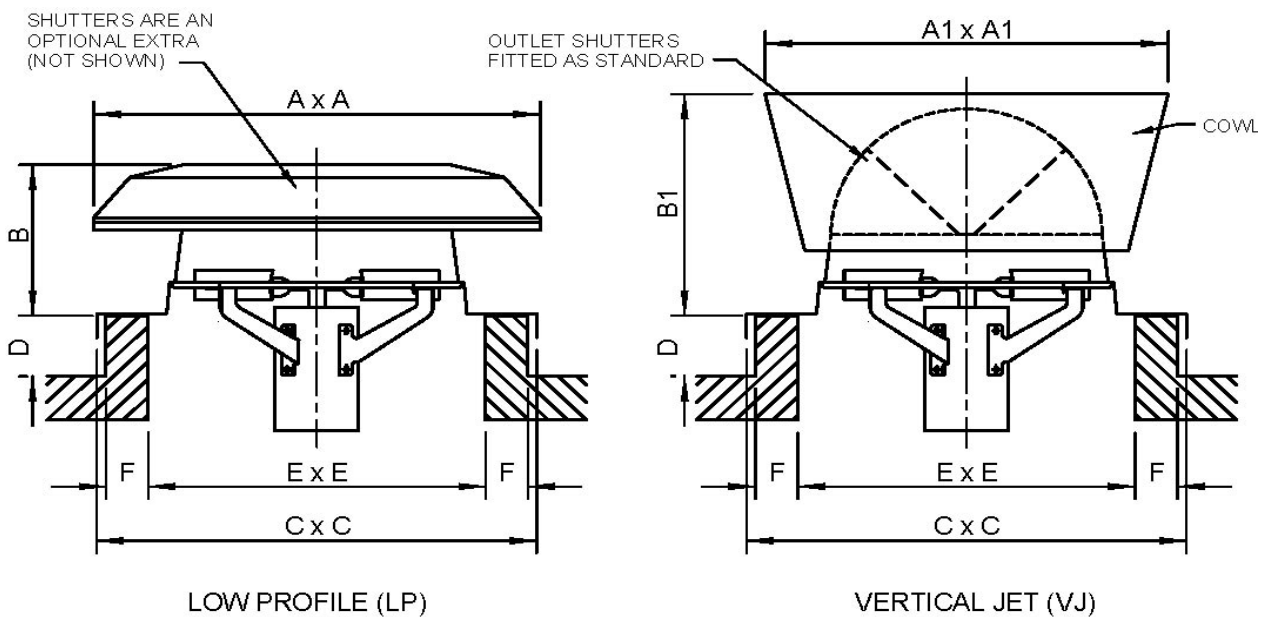
- Long Cased Axial
- Bifurcated Axial
- Plate or Short Cased Axial
- Axial Impellers
- Smoke Extract
- Boxed Centrifugal
- Propeller
- Flameproof (Hazardous Area)
- Roof Mounted
- Portable

We can also design and manufacture fans to suit non standard or special applications.

Flameproof Roof Extract Fans - Performance Data

	Fan Ref	rpm	Airflow m ³ /s @ Static Pressure Pa					dB(A) @3m	240/1/50			415/3/50		
			0 Pa	12.5	25	37.5	50		Motor kW	FLC Amps	SC Amps	Motor kW	FLC Amps	SC Amps
Type LP	LPC315 4 Pole	1400	0.43	0.40	0.37	0.31	0.27	57	0.04	0.50	1.21	0.1	0.60	1.29
	LPC380 4 Pole	1400	0.81	0.79	0.75	0.71	0.62	62	0.1	1.20	1.31	0.1	0.60	1.29
	LPC450 6 Pole	900	0.92	0.89	0.87	0.74	0.58	56	0.37	2.30	7.08	0.37	1.10	3.46
	LPC450 4 Pole	1400	1.39	1.37	1.34	1.29	1.22	66	0.37	2.30	7.07	0.37	1.10	4.19
	LPC610 6 Pole	900	2.22	2.17	2.12	2.08	2.03	65	0.37	2.30	7.08	0.37	1.10	3.46
Type VJ	VJC315 4 Pole	1400	0.46	0.42	0.40	0.33	0.29	59	0.04	0.50	1.21	0.1	0.60	1.29
	VJC380 4 Pole	1400	0.86	0.84	0.80	0.75	0.66	64	0.1	1.20	1.31	0.1	0.60	1.29
	VJC450 6 Pole	900	0.98	0.95	0.93	0.78	0.62	58	0.37	2.30	7.08	0.37	1.10	3.46
	VJC450 4 Pole	1400	1.48	1.46	1.42	1.37	1.30	68	0.37	2.30	7.07	0.37	1.10	4.19
	VJC610 6 Pole	900	2.36	2.31	2.26	2.20	2.16	67	0.37	2.30	7.08	0.37	1.10	3.46

Please contact our Sales Office for 760 & 1000mm size performance data.



	Fan Ref	A	B	C	D	E	F	kg
Low Profile	LPC315	555	250	520	150	400	50	22
	LPC380	765	370	755	150	500	100	24
	LPC450	765	370	755	150	500	75	47
	LPC610	1115	530	1010	150	825	75	68
	LPC760	1410	650	1125	150	950	75	TBA
	LPC1000	TBA	TBA	TBA	TBA	TBA	TBA	TBA

	Fan Ref	A1	B1	C	D	E	F	kg
Vertical Jet	VJC315	700	385	520	150	400	50	24
	VJC380	790	495	755	150	500	100	27
	VJC450	790	495	755	150	500	75	50
	VJC610	1115	530	1010	150	825	75	74
	VJC760	1120	690	1125	150	950	75	TBA

The London Fan Company Ltd reserves the right to revise product specification and information without prior notice.