

Plate mounted fans for industrial use

Weatherproof (safe area type)



SIZE RANGE

150mm to 760mm impeller diameter.

PERFORMANCE

Ranging from 0.05 to 5.4m³/s - full details are available on our fan selection software.

IMPELLERS

Fan sizes 150 & 190mm are fitted with aluminium blades. Sizes 230 to 760mm are fitted with GRP blades.

PLATES

Mild steel with polyester powder paint finish. Epoxy paint finish can be supplied for special applications. (Refer to our Sales Office for Motor Blade & Guard assemblies without plate).

MOTORS

Totally enclosed safe area type, enclosure IP54 or IP55, insulation Class F. Fitted with sealed for life ball bearings.

ELECTRICAL SUPPLY

110V - 120V 1 phase

220V - 240V 1 phase

380V - 480V 3 phase

50 or 60 Hz

MOUNTING & AIRFLOW

All units are suitable for internal or external operation at any installed angle. Airflow direction is Plan A as standard; Plan B can be supplied if required.

ANCILLARIES

Wire safety guards or louvre shutters (gravity type) available to match all sizes.

OPERATING TEMPERATURES

From -20°C to +50°C as standard; fans for operation beyond these limits are also available.

SPEED CONTROL

All single phase four pole units can be supplied with a speed controller. Consult our Sales Office for advice on control of three phase fans.

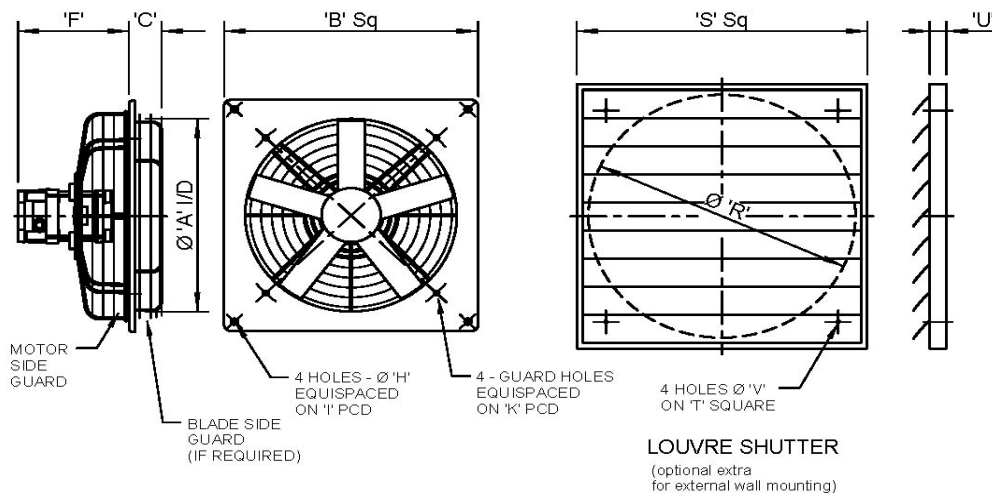
PRODUCT RANGE

- Long Cased Axial
- Bifurcated Axial
- Plate or Short Cased Axial
- Axial Impellers
- Smoke Extract
- Boxed Centrifugal
- Propeller
- Flameproof (Hazardous Area)
- Roof Mounted
- Portable

We can also design and manufacture fans to suit non standard or special applications.

Safe Area Propeller Fan - Type TE Performance Data

Fan Ref	rpm	0 Pa							dB(A) @3m	240/1/50			415/3/50				
		12.5	25	37.5	50	62.5	75	Motor kW		FLC Amps	SC Amps	Motor kW	FLC Amps	SC Amps			
		Airflow m³/s @ Static Pressure Pa															
6TE 4 Pole	1400	0.05							40	0.1	0.80	2.00	0.1	0.34	1.40		
6TE 2 Pole	2800	0.12	0.11	0.09	0.08				54	0.15	1.20	3.00	0.15	0.40	1.00		
7.5TE 4 Pole	1400	0.12	0.01						40	0.1	0.80	2.00	0.1	0.34	1.40		
7.5TE 2 Pole	2800	0.20	0.19	0.18	0.17	0.15	0.11	0.01	54	0.15	1.20	3.00	0.15	0.40	1.00		
9TE 6 Pole	900	0.14	0.12						35	0.035	0.40	0.72	0.035	0.18	0.47		
9TE 4 Pole	1400	0.24	0.21	0.18					44	0.1	0.80	2.00	0.1	0.34	1.40		
9TE 2 Pole	2800	0.46	0.42	0.39	0.35	0.32	0.31	0.28	58	0.15	1.20	3.00	0.15	0.40	1.00		
10.5TE 6 Pole	900	0.17	0.13						38	0.035	0.40	0.72	0.035	0.18	0.47		
10.5TE 4 Pole	1400	0.36	0.34	0.24					48	0.1	0.80	2.00	0.1	0.34	1.40		
12TE 6 Pole	900	0.36	0.30	0.25					42	0.035	0.40	0.72	0.035	0.18	0.47		
12TE 4 Pole	1400	0.54	0.50	0.47	0.39	0.34			52	0.1	0.80	2.00	0.1	0.34	1.40		
15TE 6 Pole	900	0.68	0.64	0.53	0.45				48	0.035	0.40	0.72	0.035	0.18	0.47		
15TE 4 Pole	1400	1.01	0.99	0.94	0.88	0.78	0.71	0.61	57	0.1	0.80	2.00	0.1	0.34	1.40		
18TE 6 Pole	900	1.15	1.12	1.09	0.92	0.73			51	0.19	1.50	4.50	0.19	0.90	1.90		
18TE 4 Pole	1400	1.74	1.72	1.67	1.61	1.53	1.44	1.26	61	0.5	3.00	9.50	0.5	1.20	3.90		
24TE 8 Pole	700	2.12	1.95	1.76	1.49	1.10			54	0.18	1.60	2.70	0.18	1.00	2.80		
24TE 6 Pole	900	2.77	2.72	2.66	2.59	2.54	2.47	2.30	60	0.39	2.70	7.60	0.39	1.50	3.60		
24TE 4 Pole	1350	4.05	4.00	3.92	3.85	3.70	3.52	3.20	73	n/a	n/a	n/a	1.20	2.80	7.00		
30TE 6 Pole	900	5.41	4.94	4.70	4.42	4.11	3.85	3.53	67	n/a	n/a	n/a	0.67	2.20	5.00		



Dimensions in mm

Fan Size												Louvre Shutters				
ins	mm	A	B	C	F	H	I	K	kg	R	S	T	U	V		
6	152	160	260	26	210	8	323	239	5	210	244	184	22	5		
7.5	190	203	260	26	210	8	323	239	5	210	244	184	22	5		
9	229	241	330	26	210	10	414	280	6	260	294	227	22	5		
10.5	267	279	355	26	210	10	450	315	6	310	344	276	26	5		
12	315	323	394	26	210	12	503	372	6	310	344	276	26	5		
15	381	392	470	35	225	12	611	447	8	420	457	365	26	5		
18	457	473	560	35	255	16	728	530	15	510	544	440	31	5		
24	610	630	718	35	290	19	938	702	25	---	696	626	31	5		
30	762	800	914	35	315	20	1207	864	39	---	840	772	40	5		