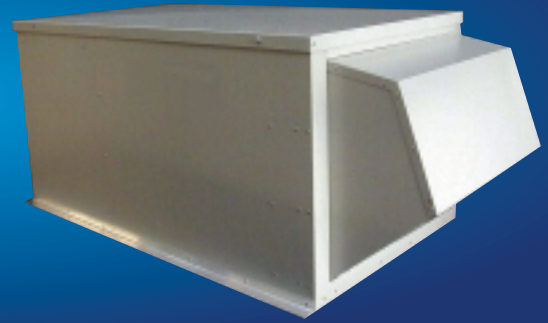


TWIN FANS BELT DRIVE

Internal or External/Roof mounted

Superior quality fan units designed for guaranteed standby ventilation for toilets, plant rooms or other areas where the failsafe extract of contaminated air is required.



INTERNAL UNITS TYPE LFTB

For duct mounting with 20mm "mez" flange connection on inlet and outlet and double skinned galvanised sheet steel casing.

EXTERNAL UNITS TYPE LFTBR

For roof mounting with 20mm "mez" flange connection on inlet and weatherproof discharge cowl with integral bird mesh and single skinned Plastisol (plastic coated steel) casing. Bottom inlet is also available on this model.

SIZE RANGE

Four standard case sizes with different combinations of motors and pulleys giving an extensive range of fan duties.

PERFORMANCE

Full details available on our fan selection programme.

IMPELLERS

Two DIDW (double inlet double width) forward curved centrifugal type.

MOTORS

Comply with BS5000 & IEC34-1. Foot mounted type TEFV IP55 Class F insulation. They are fitted with sealed for life ball bearings.

PRODUCT RANGE

- Long Cased Axial
- Bifurcated Axial
- Plate/Short Cased Axial
- Axial Impellers
- Smoke Extract
- Boxed Centrifugal
- Propeller
- Flameproof (Hazardous Area)
- Roof Mounted
- Portable

We can also design and manufacture fans to suit non standard or special applications

CASES/FINISH

Internal units are double skinned in galvanised sheet steel.

External units are single skinned in Plastisol (plastic coated steel).

All units have sealed removable access panels (internal units) and lids (external units).

Powder coated paint finish (to any BS or RAL number) available on all models.

OPERATING TEMPERATURE

From -15 to +40°C as standard, fans for operation beyond these limits are also available.

INSULATION (optional)

Internal units - double skinned with 25mm, 60kg/m³ density mineral wool slab.

External units - single skinned with 25mm acoustic foam lining (50mm available).

AUTO CHANGE OVER

Control panels are available for change over on either electrical failure or airflow failure. Can also be supplied for fan duty share, and with volt free contacts for remote operation. Special units available with PIR sensors and speed control.

ANCILLARIES

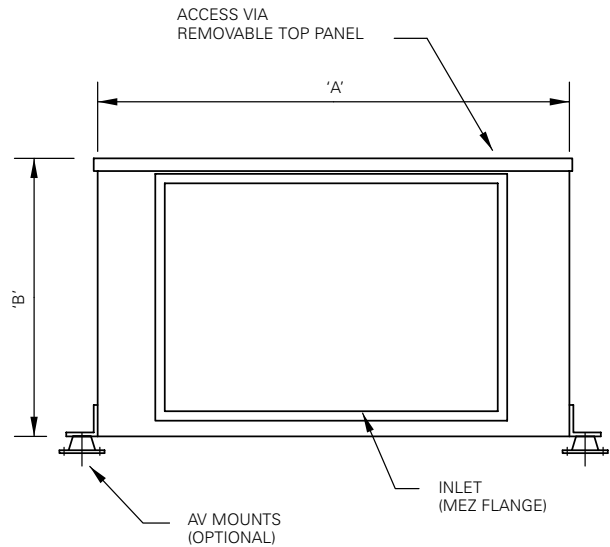
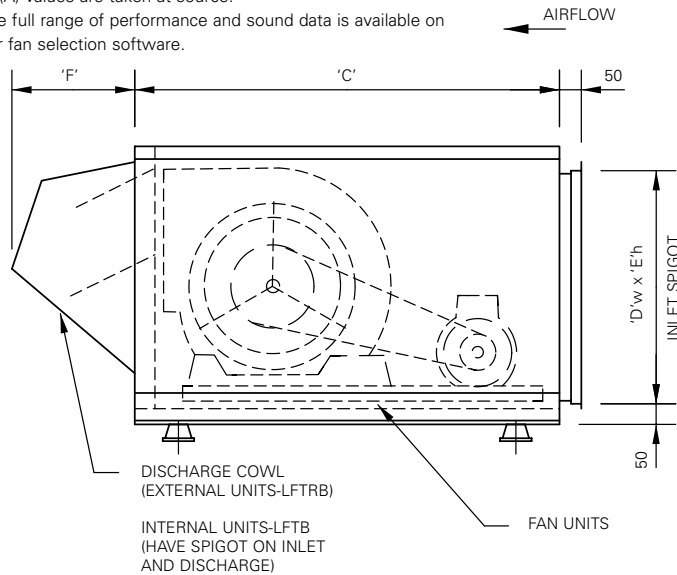
All fans can be offered with attenuators, flexible connectors, and anti-vibration mountings.

Twin Fan Belt Drive Performance Data

Fan Code		50	100	150	200	250	300	350	400	450	500	Motor kW	FLC Amps	SC Amps
		Airflow m³/s @ Static Pressure Pa												
LFTB 7/1	Airflow m³/s	0.79	0.75	0.7	0.65	0.6						0.75	2	11
	dB(A)	79	78	76	75	74								
LFTB 7/2	Airflow m³/s			0.95	0.9	0.85	0.8	0.75	0.7			1.1	2.9	16
	dB(A)			79	78	77	76	76	75					
LFTB 7/3	Airflow m³/s				1	0.95	0.9	0.85	0.8			1.1	2.9	16
	dB(A)				80	79	78	77	77					
LFTB 7/4	Airflow m³/s							1	0.9	0.8	0.7	1.5	3.9	21.5
	dB(A)							80	79	77	76			
LFTB 8/1	Airflow m³/s	1.07	1.02	0.95	0.9							0.75	2	11
	dB(A)	77	76	75	74									
LFTB 8/2	Airflow m³/s		1.21	1.15	1.1	1.05	1					1.1	2.9	16
	dB(A)		80	79	78	77	77							
LFTB 8/3	Airflow m³/s				1.25	1.2	1.15	1.1	1.05			1.5	3.9	21.5
	dB(A)				81	80	79	79	78					
LFTB 8/4	Airflow m³/s						1.3	1.25	1.2	1.15	1.1	2.2	5.3	29.2
	dB(A)						82	81	80	80	80			
LFTB 9/1	Airflow m³/s		1.42	1.33	1.28	1.21						1.1	2.9	16
	dB(A)		80	78	78	77								
LFTB 9/2	Airflow m³/s		1.7	1.65	1.6	1.55	1.5					1.5	3.9	21.5
	dB(A)		79	79	78	78	78							
LFTB 9/3	Airflow m³/s					1.85	1.8	1.75	1.7	13.65		2.2	5.3	29.2
	dB(A)					81	81	81	80	80				
LFTB 9/4	Airflow m³/s						2	1.95	1.9	1.85	1.8	3	7.1	39.1
	dB(A)						83	82	82	82	82			
LFTB 10/1	Airflow m³/s	2.14	2.09	2	1.9	1.8						1.5	3.9	21.5
	dB(A)	80	79	79	78	78								
LFTB 10/2	Airflow m³/s		2.4	2.35	2.3	2.25	2.16	20.5				2.2	5.3	29.2
	dB(A)		82	82	82	81	81	80						
LFTB 10/3	Airflow m³/s				2.52	2.47	2.42	2.37	2.32	2.28		3	7.1	39.1
	dB(A)				83	83	83	83	83	83				
LFTB 10/4	Airflow m³/s						2.53	2.4	2.35	2.3	2.2	3	7.1	39.1
	dB(A)						84	83	83	83	82			

dB(A) values are taken at source.

The full range of performance and sound data is available on our fan selection software.



Dimensions in mm

Model	A	B	C	D	E	F	Approx wt
7	1000	500	950	600	450	250	190kg
8	1150	550	1000	750	450	275	240kg
9	1200	650	1150	900	500	300	275kg
10	1450	700	1200	900	600	300	300kg

The London Fan Company Ltd
75-81 Stirling Road
London W3 8DJ

t +44 (0)20 8992 6923
f +44 (0)20 8992 6928
e sales@londonfan.co.uk

www.londonfan.co.uk

Manufacturers of Breeza Fans
& Breezax Impellers