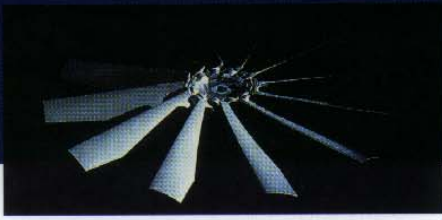


CONICAL RANGE

250 to 500 mm diameter



CYLINDRICAL RANGE

560 to 1250 mm diameter

GENERAL DESCRIPTION

This range of fans is designed specifically for extracting contaminated air, operating in corrosive, hot, dusty, or hazardous conditions. The impeller is directly coupled to the motor which is enclosed within its own compartment outside of the airstream.

TEMPERATURE RANGE

Standard temperature units up to 100°C continuous operation.

High temperature up to 200°C continuous operation. Heat insulating material and an additional cooling fan are fitted inside the motor compartment.

Emergency Fume and Smoke Extract up to 400°C short duration. Please consult The London Fan Company for higher temperature applications.

IMPELLERS

Adjustable pitch, high efficiency, Breezax Impellers are fitted throughout the range. Standard temperature units are fitted with glass reinforced nylon blades and high temperature models have aluminium blades. Emergency Fume and Smoke Extract units may have steel blades for certain applications.

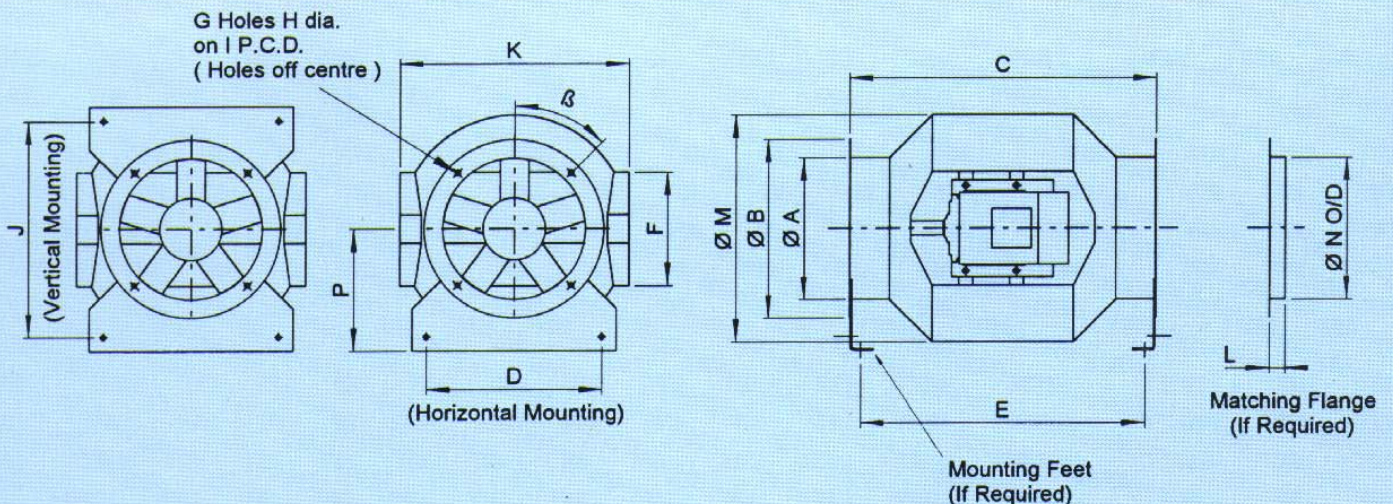
CASINGS

Constructed in mild steel and hot dip galvanised to BS729. Alternative polyester or epoxy paint finish can be specified.

Where required the conical design may be offered up to 1250 mm diameter.

CONICAL RANGE SIZES 250 to 500

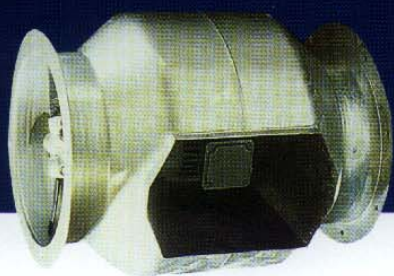
FAN SIZE A	MOTOR FRAME	B	C	D	E	F	G	H	I	J	K	L	M	N	P	β
250	D63-71	315	540	306	504	200	4	10	280	380	400	30	400	260	215	45
315	D63-71	400	550	356	504	200	8	10	355	450	440	30	440	321	250	22.5
400	D71-80	480	625	510	580	245	8	12	450	550	550	30	550	405	300	22.5
	D90-100	480	660	510	615	245	8	12	450	550	550	30	550	405	300	22.5
500	D71-80	600	700	650	645	245	12	12	560	710	700	40	700	505	380	15
	D90-112	600	700	650	645	265	12	12	560	710	700	40	700	505	380	15



MOTORS

Standard three or single phase totally enclosed fan ventilated design. All comply with BS5000 part 10 and Part 99 and relevant parts of BS4999. Suitable for mounting in vertical or horizontal plane.

Flameproof, dual speed, dust or weather protected options are available in all sizes.



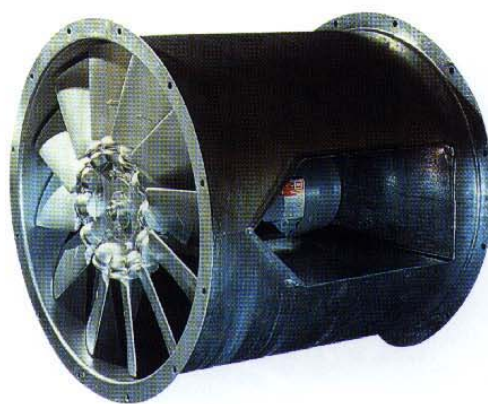
SPECIAL UNITS

The London Fan Company has a design and engineering capacity for the production of non-standard fan units to meet specific requirements. Please consult us for further information.

- Special colour paint finish
- Two or three speed option
- Flameproof CENELEC/EURONORM or NEMA
- Paint spray extract

ANCILLARIES

The standard range of ancillary items include: matching flanges, flexible connectors, mounting feet and AV mounts. Anti back-draught dampers, inlet cones and silencers are also available.



CYLINDRICAL RANGE SIZES 560 to 1250

FAN SIZE A	MOTOR FRAME	B	C	D	E	G	H	I	J	L	N	P	β
560	D71-D112	645	650	510	590	12	12	620	660	40	565	355	15
630	D71-D112	715	650	580	590	12	12	690	710	40	636	380	15
710	D80-D132	795	700	640	625	16	12	770	770	40	720	420	11.25
800	D80-D132	885	750	730	675	16	12	860	870	50	810	470	11.25
	D160	885	950	730	875	16	12	860	870	50	810	470	11.25
900	D80-D132	1000	750	800	690	16	15	970	960	50	910	530	11.25
	D160	1000	950	800	890	16	15	970	960	50	910	530	11.25
1000	D80-D132	1100	800	900	730	16	15	1070	1060	50	1016	580	11.25
	D160	1100	950	900	880	16	15	1070	1060	50	1016	580	11.25
1120	D160-D180	1220	1100	1020	1030	20	15	1190	1240	50	1136	670	9
	D200-D225	1220	1200	1020	1130	20	15	1190	1240	50	1136	670	9
1250	D160-D180	1350	1100	1150	1030	20	15	1320	1370	50	1268	735	9
	D200-D225	1350	1200	1150	1130	20	15	1320	1370	50	1268	735	9

Dimensions in mm

