

# ATTENUATORS

Internal or External/Roof mounted

**Cylindrical Silencers** for the efficient reduction of airborne noise.



## RANGE

Size 250mm to 1250mm diameter. Standard lengths are:

1 x fan dia (1D) or 2 x fan dia (2D).

## STRAIGHT THROUGH TYPE

Straight Through type without the centre pod reduce the fan noise with negligible effect to the fan performance.

## POD TYPE

These have a centre pod for enhanced noise reduction. Our fan selection software will take account of the additional system resistance when selecting this product.

## MOUNTING

All units are suitable for internal or external operation at any installed angle.

## FLANGES

Internal flanges with threaded inserts match ISO fan sizes.

## MELINEX LINING

For damp or grease laden air we can supply attenuators with this special lining. This will also contain any loose mineral fibres, making the units suitable for clean environments such as hospitals.

## OPERATING TEMPERATURES

From -20°C to +200°C as standard; units for operation beyond these limits are also available for smoke extract applications.

## SPECIAL UNITS

We can also supply attenuators with built in spigot for flexible duct connection or rectangular type. Please consult our sales team for any non standard requirements.

## MATERIAL

Units are manufactured from galvanised steel with sealed seams. The inner lining is perforated galvanised steel enclosing mineral fibre slabs for sound absorption.

## PRODUCT RANGE

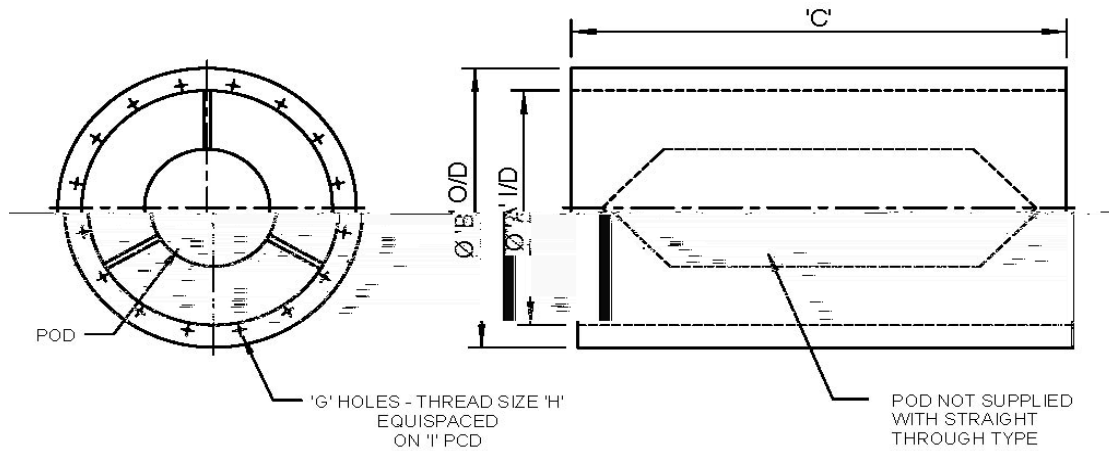
- Long Cased Axial
- Bifurcated Axial
- Plate or Short Cased Axial
- Axial Impellers
- Smoke Extract
- Boxed Centrifugal
- Propeller
- Flameproof (Hazardous Area)
- Roof Mounted
- Portable

We can also design and manufacture fans to suit non standard or special applications.

## Attenuator insertion loss data

Dia mm	Length [x Dia]	Straight Through Type (no pod)								Pod Type							
		Octave band mid frequencies Hz								Octave band mid frequencies Hz							
		63	125	250	500	1k	2k	4k	8k	63	125	250	500	1k	2k	4k	8k
250	1D	1	2	2	8	10	8	8	7	2	6	8	13	21	24	22	18
	2D	1	3	4	13	18	12	12	10	3	12	13	23	29	29	19	20
315	1D	1	2	4	9	11	10	9	7	2	7	8	14	22	25	22	19
	2D	2	2	5	13	18	12	11	10	3	13	14	23	30	30	20	25
355	1D	2	3	5	11	13	11	10	8	2	6	8	11	22	24	21	16
	2D	3	4	7	14	18	15	11	10	3	10	15	22	29	30	29	22
400	1D	2	3	5	10	13	11	9	8	2	7	9	15	23	25	21	17
	2D	3	4	8	14	18	14	11	9	3	10	14	24	30	29	28	21
450	1D	2	3	6	12	13	11	9	7	2	6	8	16	23	23	21	16
	2D	3	4	8	17	18	15	11	10	3	7	12	22	29	29	25	20
500	1D	2	3	6	14	14	12	10	5	2	7	9	17	24	24	20	16
	2D	3	7	8	19	20	17	14	11	4	10	16	26	29	29	29	20
560	1D	2	4	7	14	14	9	9	7	3	7	9	18	24	24	20	15
	2D	3	6	10	19	20	14	12	10	4	9	17	27	29	28	23	23
630	1D	2	5	7	15	13	9	9	8	3	5	9	18	25	22	18	13
	2D	4	7	13	21	21	14	13	12	5	9	18	28	30	29	24	19
710	1D	3	5	9	15	14	10	9	8	3	5	10	19	25	22	18	14
	2D	4	9	16	22	23	17	13	9	5	9	17	28	29	30	26	20
800	1D	3	5	9	16	14	10	8	8	4	5	10	15	25	22	19	14
	2D	4	6	10	21	23	17	12	10	5	8	18	29	30	29	27	19
900	1D	3	5	10	17	15	11	9	8	5	6	11	21	23	22	17	13
	2D	4	6	13	22	21	14	12	11	5	11	18	29	30	26	19	16
1000	1D	4	6	11	17	15	11	9	8	5	6	13	22	25	21	17	14
	2D	5	10	16	23	23	16	13	11	5	10	19	29	30	27	22	18
1250	1D									3	6	13	21	23	14	10	9
	2D									6	12	26	41	44	30	16	13

Refer to our Sales Office for data relating to Melinex lined attenuators.



Dimensions in mm

A	B	C		G	H	I	Approx Weight kg			
		1D	2D				1D Pod	2D Pod		
250	320	250	500	4	M6	280	7	11	9	13
315	455	315	630	8	M6	355	9	15	11	17
400	540	400	800	8	M10	450	13	22	16	26
500	664	500	1000	12	M10	560	18	32	22	37
560	724	560	1120	12	M10	620	22	39	26	46
630	794	630	1260	12	M10	690	26	48	32	47
710	874	710	1420	16	M10	770	32	59	39	71
800	964	800	1600	16	M10	860	40	74	49	90
900	1064	900	1800	16	M12	970	55	102	67	123
1000	1190	1000	2000	16	M12	1070	66	124	82	151
1120	1310	1120	2240	20	M12	1190	137	220	156	253
1250	1440	1250	2500	20	M12	1320	165	334	192	380